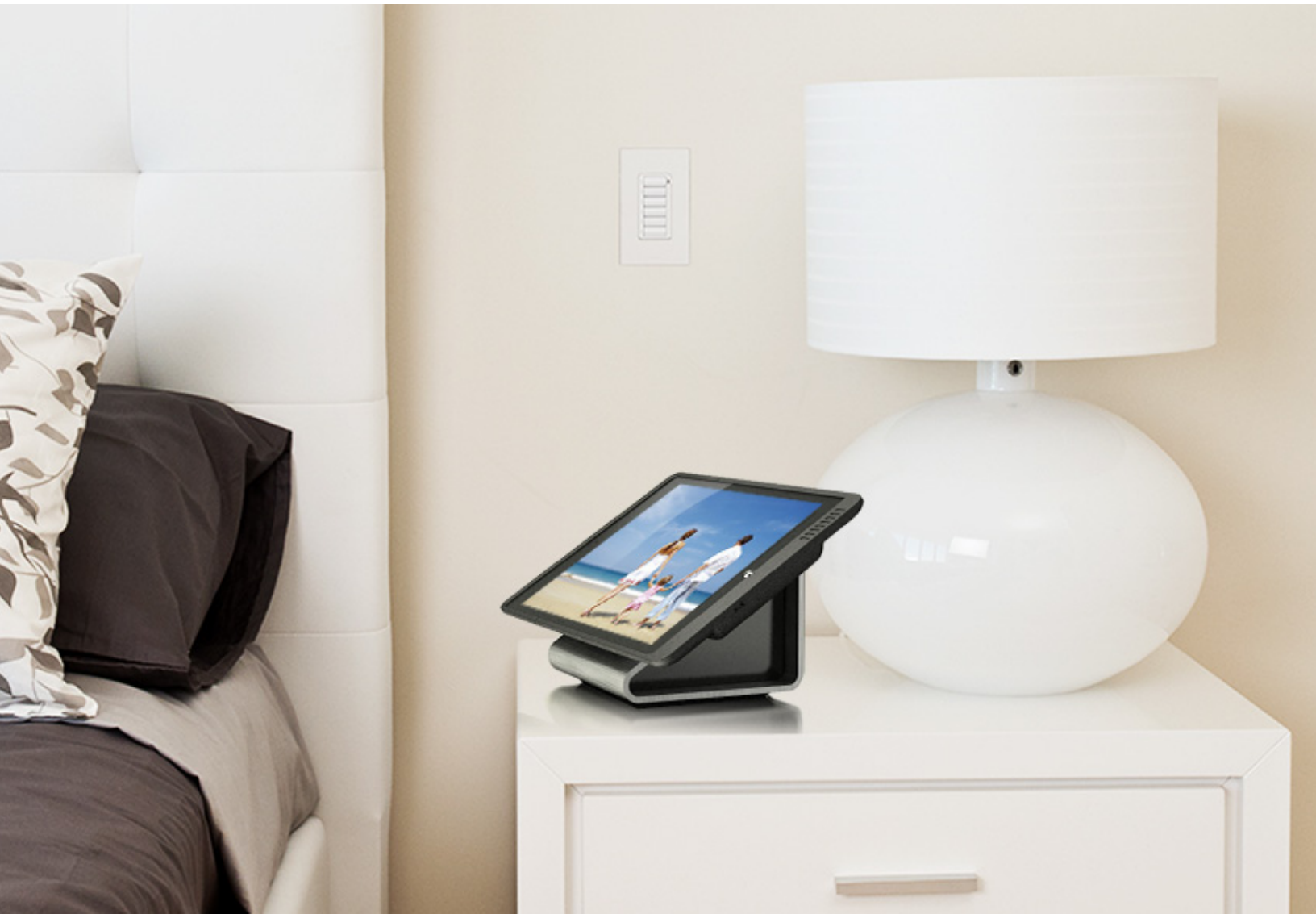


LAUNCHPORT



The world's first inductive charging and mounting system for iPad

BaseStation

LAUNCHPORT *BaseStation*

The BaseStation allows you to mount your iPad to a table top base to use and charge. The mounting and induction charging ring provides a connection point for a PowerShuttle. Made of brushed aluminum, the BaseStation looks great with all your Apple products.

BaseStation Features:

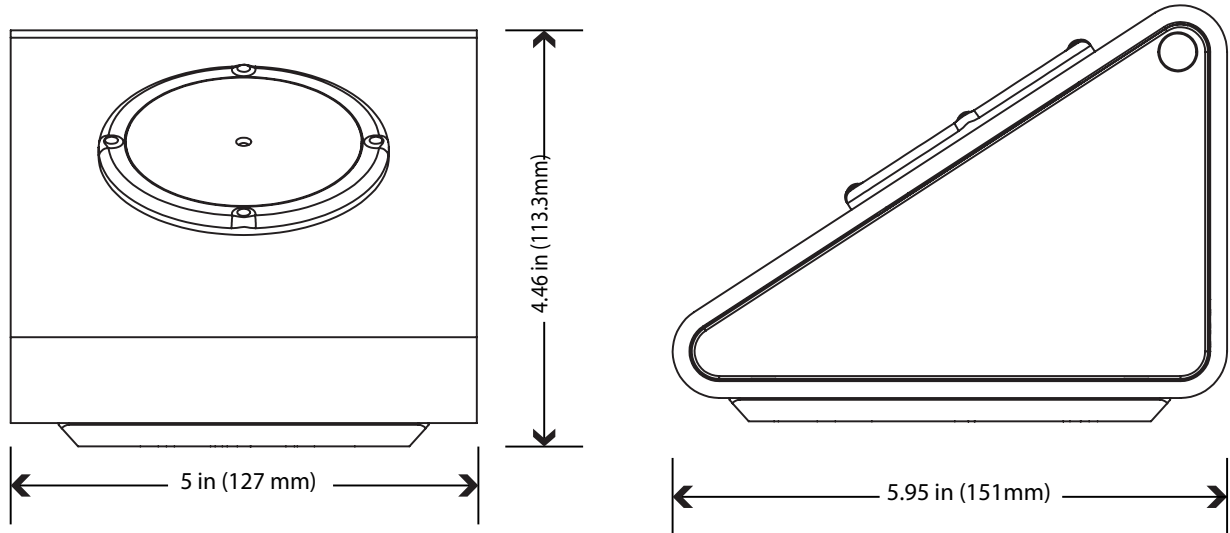
- * Wireless Inductive charging and mounting for iPad 2
- * Magnetic table top mounting station
- * Effortless mounting and removal
- * 360° rotation allows the iPad to be in either horizontal or landscape orientations while mounted
- * Maintains total iPad functionality while charging

BaseStation Includes:

- * Extruded aluminum base station with brushed finish
- * Power supply

Compatible With:

- * iPad 2



212 Avenida Fabricante | San Clemente | USA Set your iPad free at www.launchport.com